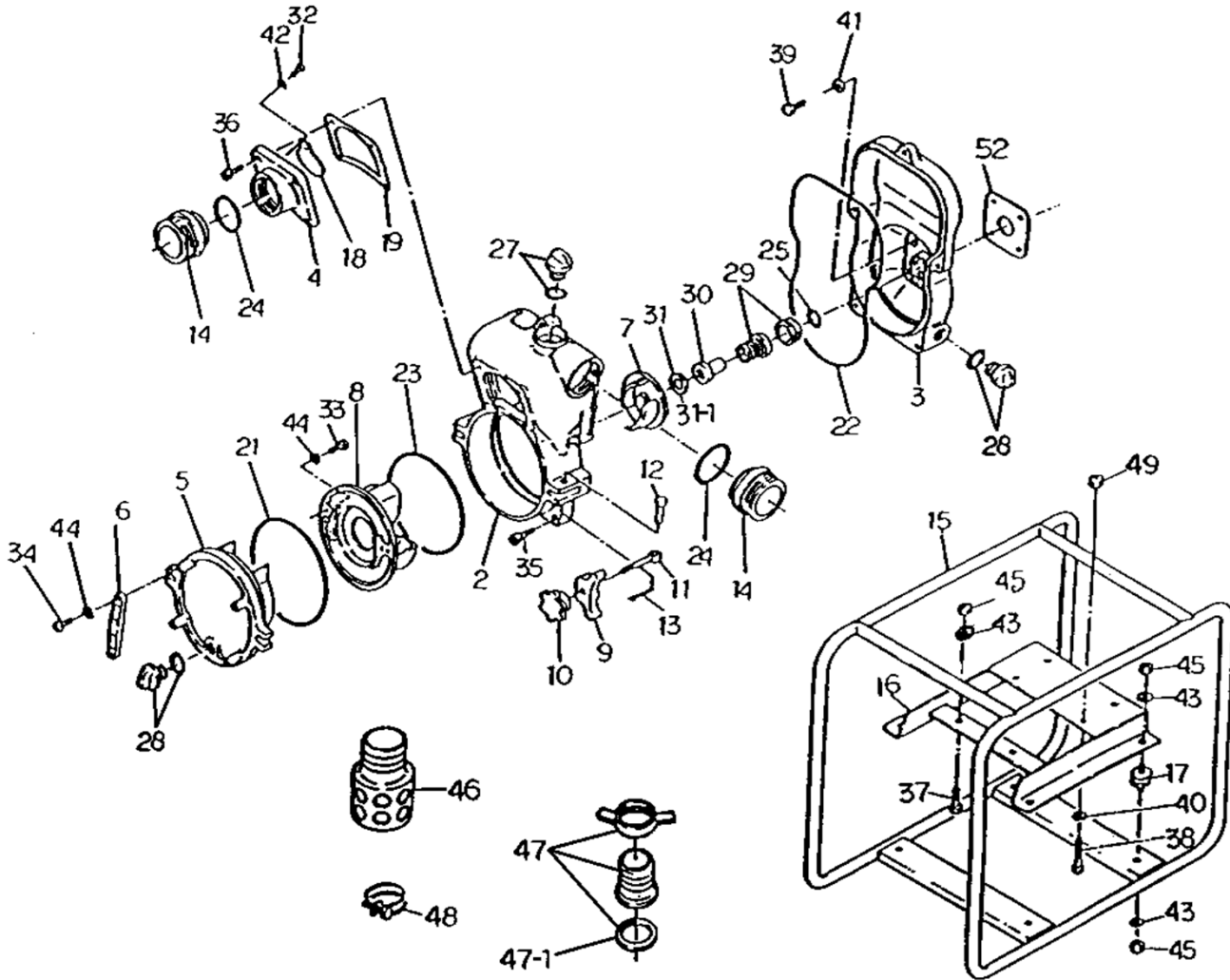


PARTS LIST : QP-203T


| No. | PARTS NO. | PARTS NAME | Q'TY | MATERIAL |
|-----|------------------|------------------------|------|-----------|
| | GX160 | ENGINE | | |
| 2 | 1317-100010 | CASING | 1 | ADC |
| 3 | 7206-100020 | CASING COVER | 1 | ADC |
| 4 | 1317-100160 | SUCTION COVER | 1 | ADC |
| 5 | 1247-100170 | DRAIN COVER | 1 | ADC |
| 6 | 1247-100250 | DRAIN COVER HANDLE | 2 | ADC |
| 7 | 7206-000030 | IMPELLER | 1 | FC |
| 8 | 7206-000130 | VOLUTE CASING | 1 | FC |
| 9 | 1247-000200-0014 | DRAIN COVER PUSH PLATE | 2 | FC |
| 10 | 1247-000190-0014 | DRAIN COVER SET HANDLE | 2 | FC |
| 11 | 1247-690270CE | HINGE BOLT | 2 | SS400 |
| 12 | 1247-680280CE | HINGE PIN | 2 | S45C |
| 13 | 064110-0430CE | SPLIT PIN | 2 | SWRM |
| 14 | 079000-3020-0011 | NIPPLE | 2 | FC |
| 15 | 7206-214010-0004 | BASE | 1 | SS400 |
| 16 | 7206-214020-0004 | ENGINE BASE | 1 | SS400 |
| 17 | 072330-2040CE | CUSHION RUBBER | 4 | NBR+SS400 |
| 18 | 1317-350350CE | CHECK VALVE | 1 | NBR+SS400 |

PARTS LIST : QP-203T

| No. | PARTS NO. | PARTS NAME | Q'TY | MATERIAL |
|------|--------------------------------|--------------------------|------|-------------|
| 19 | 1317-330370 | SUCTION COVER PACKING | 1 | NBR |
| 21 | 048935-2400CE | O-RING | 1 | NBR |
| 22 | 048935-3970CE | O-RING | 1 | NBR |
| 23 | 048931-2300CE | O-RING | 1 | NBR |
| 24 | 048131-0800 | O-RING | 2 | NBR |
| 25 | 048024-0200 | O-RING | 1 | NBR |
| 27 | 063121-1100CE | FLOODING CAP WITH O-RING | 1 | ABS+NBR |
| 28 | 063121-1100CE | DRAIN CAP WITH O-RING | 2 | ABS+NBR |
| 29 | 080140-3325 | MECHANICAL SEAL | 1 | SIC × SIC |
| 30 | 081120-4056 | MECHANICAL SEAL SLEEVE | 1 | SUS |
| 31 | 085283-2818 | ADJUST LINER | 1 | BSP |
| 31-1 | 085285-2818 | ADJUST LINER | 1 | BSP |
| 32 | 014109-0510 | SCREW | 2 | SUS |
| 33 | 014109-0820 | SCREW | 2 | SUS |
| 34 | 014205-0825CE | SCREW | 4 | SS400 |
| 35 | 013215-1235CE | CAP SCREW | 5 | SCM |
| 36 | 013215-1030CE | CAP SCREW | 4 | SCM |
| 37 | 010606-1035CE | BOLT | 2 | SS400 |
| 38 | 010606-0840CE (010505-0840) | BOLT | 4 | SS400 |
| 39 | 010606-0825CE | BOLT | 4 | SS400 |
| 40 | 040175-0080CE | WASHER | 4 | SS400 |
| 41 | 045822-0080CE | SEAL WASHER | 4 | SUS+NBR |
| 42 | 040175-0050CE | WASHER | 2 | SS400 |
| 43 | 045128-0100CE | SPRING WASHER | 10 | SWRH |
| 44 | 045128-0080CE | SPRING WASHER | 6 | SWRH |
| 45 | 020546-0100CE (020545-0100) | NUT | 10 | SS400 |
| 46 | 074230-2050 | STRAINER | 1 | PE |
| 47 | 074111-7050RCE | HOSE COUPLING SET | 2 | ADC+NBR |
| 48 | 093225-2000 | WIRE HOSE BAND | 3 | SWRM |
| 49 | 020916-0080CE (020915-0080) | FLANGE NUT | 4 | SS400 |
| 52 | 1201-390610 | CASING COVER PACKING | 1 | THREE SHEET |